

ASDO DIMENSIONAL DATA

The components shown are generic and the design of pins, couplers and turnbuckles may change dependent on bar diameter. Turnbuckles and couplers from M105 to M160 have a cross bore instead of spanner flats.

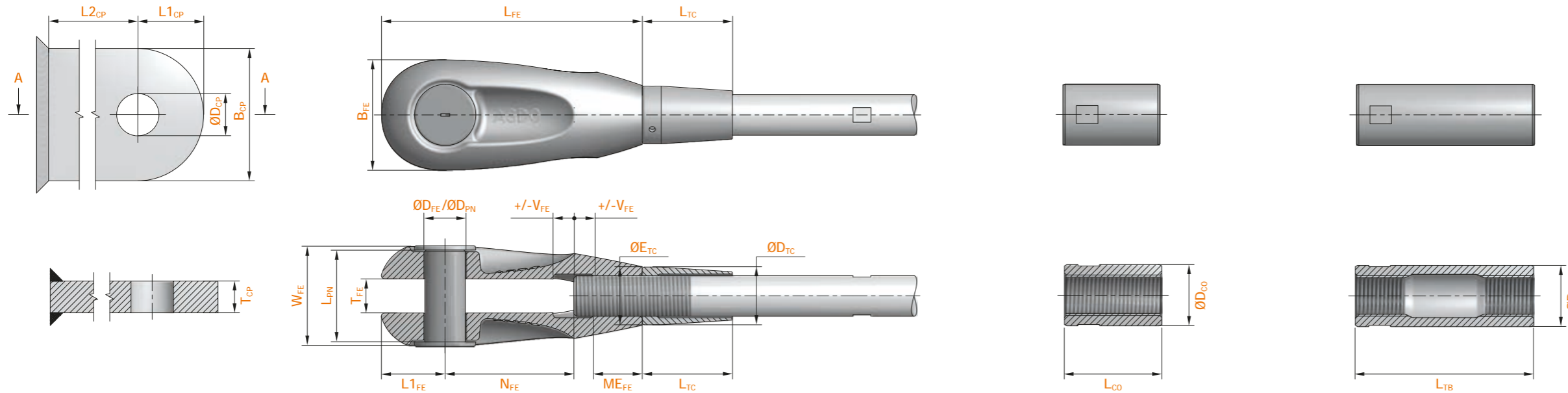


Table 5 - Dimensions for ASDO fittings - all grades (carbon and stainless)

Nominal size	M12	M16	M20	M24	M27	M30	M36	M42	M45	M48	M52	M56	M60	M64	M68	M72	M76	M80	M85	M90	M95	M100	M105	M110	M115	M120	M130	M140	M150	M160	
FE Fork end	L _{FE}	77	104	129	155	172	193	232	271	290	310	334	361	386	412	438	463	489	516	547	579	610	645	677	709	742	773	837	901	966	1,031
	B _{FE}	33	44	53	65	73	81	98	114	122	130	139	150	159	172	182	193	203	219	230	243	258	271	287	301	316	330	354	381	410	436
	W _{FE}	31	42	50	61	66	77	90	104	108	119	126	139	149	159	167	179	191	196	211	226	237	248	259	271	284	303	327	351	375	405
	T _{FE}	12	17	18	23	23	28	33	38	38	44	44	49	54	59	59	64	69	74	79	84	89	94	96	101	106	116	126	136	146	156
	ØD _{FE}	13	17	21	25	28	32	38	44	47	50	54	58	62	66	70	74	78	82	87	92	97	102	108	113	118	123	133	143	153	163
	L _{1FE}	19	26	31	38	42	47	57	66	71	76	81	88	93	100	106	112	119	128	133	140	150	160	167	175	184	191	207	222	239	255
	ME _{FE}	14	19	24	29	32	36	43	50	54	58	62	67	72	77	82	86	91	96	102	108	114	120	126	132	138	144	156	168	180	192
	N _{FE}	38	51	64	76	84	95	114	134	143	152	166	181	196	210	225	240	254	267	287	306	321	340	359	377	395	413	449	486	522	559
	+/-V _{FE}	6	8	10	12	13,5	15	18	21	23	24	25	25	25	25	25	25	25	25	25	25	25	25	25	25	25	25	25	25	25	25
	Weight [kg]	0.17	0.42	0.83	1.4	2.0	2.8	4.8	7.6	9.4	11	15	18	22	27	33	39	45	51	63	74	85	100	119	136	156	177	221	277	340	417

Nominal size	M12	M16	M20	M24	M27	M30	M36	M42	M45	M48	M52	M56	M60	M64	M68	M72	M76	M80	M85	M90	M95	M100	M105	M110	M115	M120	M130	M140	M150	M160	
PN Pin	ØD _{PN}	12	16	20	24	27	30	36	42	45	48	52	56	60	64	68	72	76	80	85	90	95	100	105	110	115	120	130	140	150	160
	L _{PN}	30	40	47	57	63	73	85	97	102	111	120	129	140	151	157	166	175	182	195	205	218	229	241	250	277	301	323	344	365	
	Weight [kg]	0.03	0.07	0.14	0.25	0.34	0.46	0.81	1.2	1.5	2	2	3	4	5	5	6	7	8	11	12	14	16	19	22	25	29	37	46	57	71

Nominal size	M12	M16	M20	M24	M27	M30	M36	M42	M45	M48	M52	M56	M60	M64	M68	M72	M76	M80	M85	M90	M95	M100	M105	M110	M115	M120	M130	M140	M150	M160	
CP Connection plate	T _{CP}	10	15	15	20	20	25	30	35	40	40	45	50	55	55	60	65	70	75	80	85	90	90	95	100	110	120	130	140	150	
	B _{CP}	41	53	66	78	88	100	119	138	147	156	169	181	194	206	219	231	244	256	272	287	303	319	337	353	369	384	415	447	478	509
	ØD _{CP}	13	17	21	25	28	32	38	44	47	50	54	58	62	66	70	74	78	82	87	92	97	102	108	113	118	123	133	143	153	163
	L _{1CP}	20	27	33	39	44	50	59	69	73	78	84	91	97	103	109	115	122	128	136	144	151	159	169	176	184	192	208	223	239	254
	L _{2CP} (min)	29	36	46	53	57	62	72	81	86	91	101	108	113	120	126	132	139	148	153	160	170	180	192	200	209	216	232	247	264	280

Nominal size	M12	M16	M20	M24	M27	M30	M36	M42	M45	M48	M52	M56	M60	M64	M68	M72	M76	M80	M85	M90	M95	M100	M105	M110	M115	M120	M130	M140	M150	M160	
TC Locking thread cover	ØE _{TC}	17	23	29	35	39	42	51	60	64	69	75	81	87	92	99	104	110	113	122	129	134	143	152	158	166	173	187	202	216	232
	L _{TC}	30	40	50	55	60	70	80	95	100	110	115	120	120	135	135	135	135	140	140	140	140	140	140	140	140	140	140	140	140	
	Weight [kg]	0.03	0.05	0.09	0.1	0.2	0.3	0.4	0.7	0.8	1.1	1.3	1.6	1.8	2.2	2.7	2.9	3.3	3.6	4.2	4.7	4.9	5.7	6.6	7.0	7.8	8.6	10	12	13	15

Nominal size	M12	M16	M20	M24	M27	M30	M36	M42	M45	M48	M52	M56	M60	M64	M68	M72	M76	M80	M85	M90	M95	M100	M105	M110	M115	M120	M130	M140	M150	M160	
TB Turnbuckle	ØD _{TB}	20	27	36	42	48	51	60	70	76	83	89	95	102	108	114	121	127	133	140	152	159	171	178	191	194	203	219	241	254	273
	L _{TB}	53	70	88	106	119	132	158	185	198	211	225	234	244	254	263	273	282	292	304	326	338	350	387	399	411	423	447	471	495	519
	+/-V _{TB}	12	16	20	24	27	30	36	42	45	48	50	50	50	50	50	50	50	50	50	50	50	50	50	50	50	50	50	50	50	50
	Weight [kg]	0.09	0.16	0.32	0.6	0.9	1.2	1.8	2.8	3.3	3.9	5.4	6.2	8.5	10	12	14	16	18	20	24	30	34	42	49	62	61	82	96	115	147

Nominal size	M12	M16	M20	M24	M27	M30	M36	M42	M45	M48	M52	M56	M60	M64	M68	M72	M76	M80	M85	M90	M95	M100	M105	M110	M115	M120	M130	M140	M150	M160	
CO Coupler	ØD _{CO}	20	27	36	42	48	51	60	70	76	83	89	95	102	108	114	121	127	133	140	152	159	171	178	191	194	203	219	241	254	273
	L _{CO}	29	39	48	58	65	72	87	101	108	116	125	135	144	154	164	173	183	192	204	226	238	250	287	299	311	323	347	371	395	419
	Weight [kg]	0.05	0.09	0.17	0.3	0.5	0.7	1.1	1.7	2.0	2.3	3.2	3.9	5.3	6.3	7.8	9.2	11	12	14	17	22	25	32	37	47	47	65	77	93	119

All dimensions in mm unless noted otherwise

